

TOTAL *HYGIENIC* SORTING



CURIOSITY



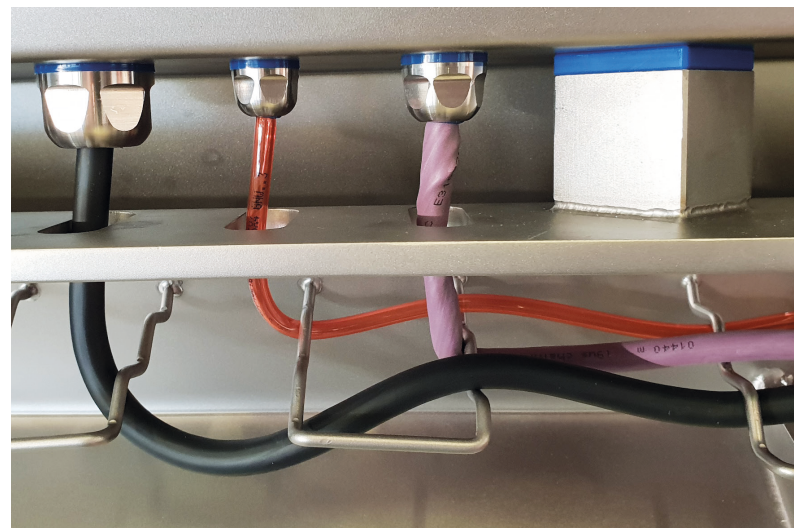
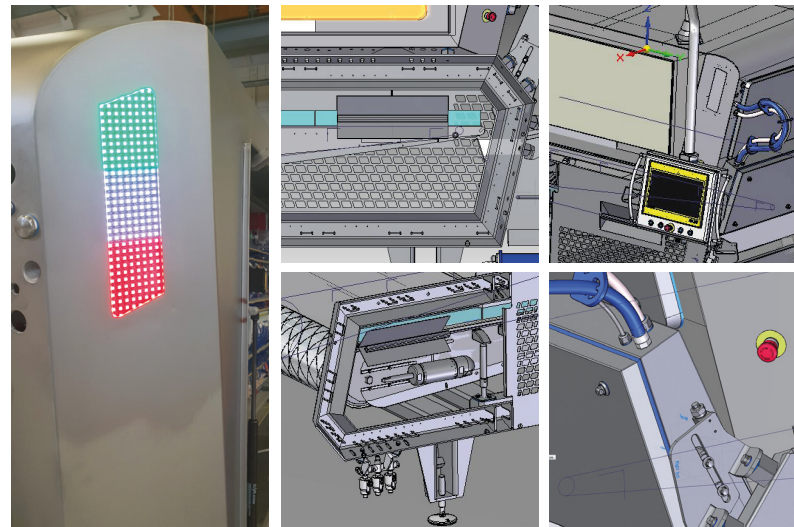
The first sorting machine totally compliant with EHEDG guidelines

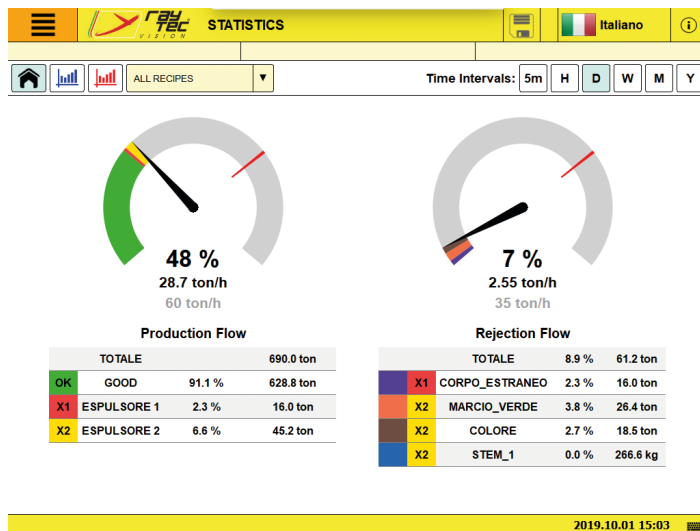
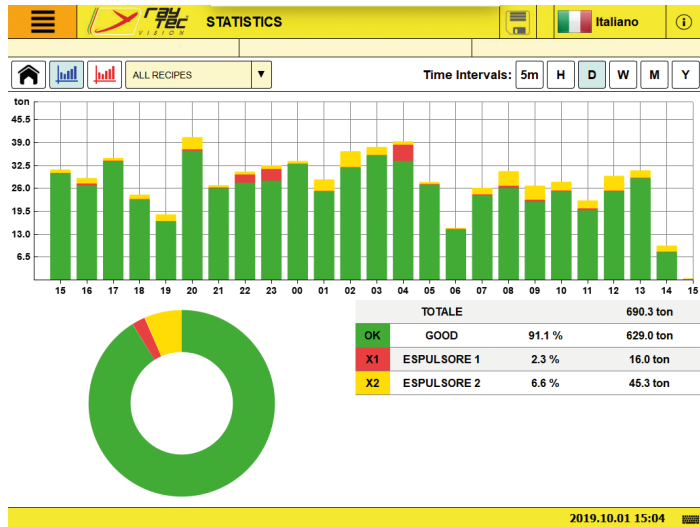


CURIOSITY

- **CURIOSITY** achieves the **totally hygienic** compliance according to the **EHEDG** guidelines.
- A **new design** has allowed it to match the strongest efficiency with the highest demand for openness, cleanliness and facility of tidying.
- Guided by our powerfull **UNYCO** software, **CURIOSITY** can detect all the defects you are looking to reject, while caring for the good part.

ver:10/2019





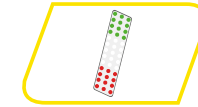
DECARAY LIGHT & UNYCO

Raytec has developed a 10 frequencies technology: Decaray. CURIOSITY pairs it with UNYCO software, in order to process many different application typologies.



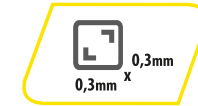
RAY LAMP

Every in-line installed machine needs a light powered signal-tower. Curiosity takes a step further: the 4 sides of the machine are equipped with embodied led-signaling devices with which you can create a real alphabet for the visual signaling in your facility.



BEST OPTICAL RESOLUTION

Raytec has chosen the best performing optical resolution, 0,3x0,3 mm, to consent the most accurate image understanding.



OPEN WIRING AND HAND STRUCTURE

The half-hexagon: a structure that gives breath and structure, while perfect the host cables.



TOTALLY HYGIENIC

CURIOSITY is the result of a new design, especially conceived to comply all the EHEDG guidelines. This leads to an ease in washing that consent to save time and water. The cater-cornered tube offer a major mechanical resistance and enable less water use, meaning less time for better cleanness.



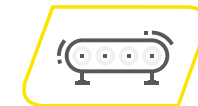
2WAY-3WAY

CURIOSITY is available both with one it two groups of pneumatic expulsion, both with 6mm step valves. Our Smart-Jet card takes full control of the rejection system, both electric and pneumatic.



ESB-TECHNOLOGY TAPE

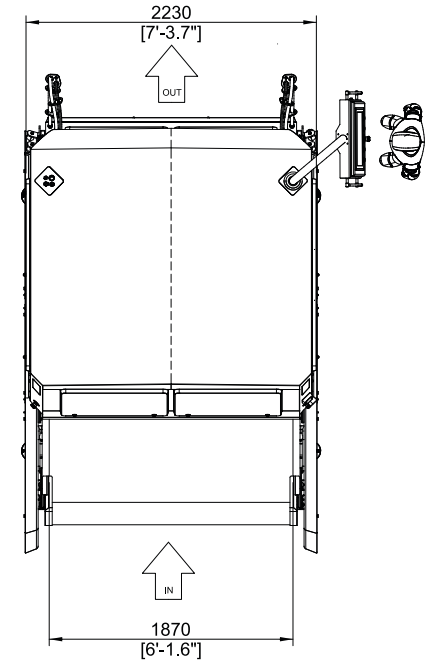
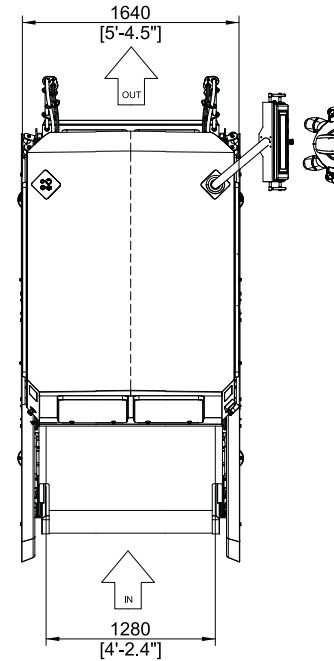
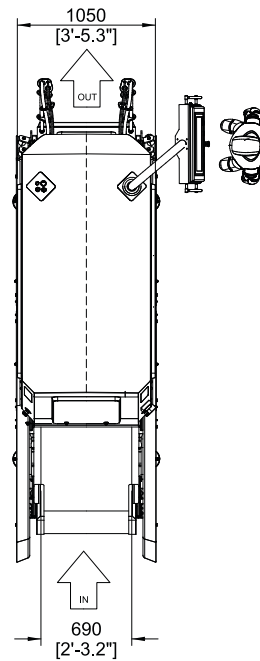
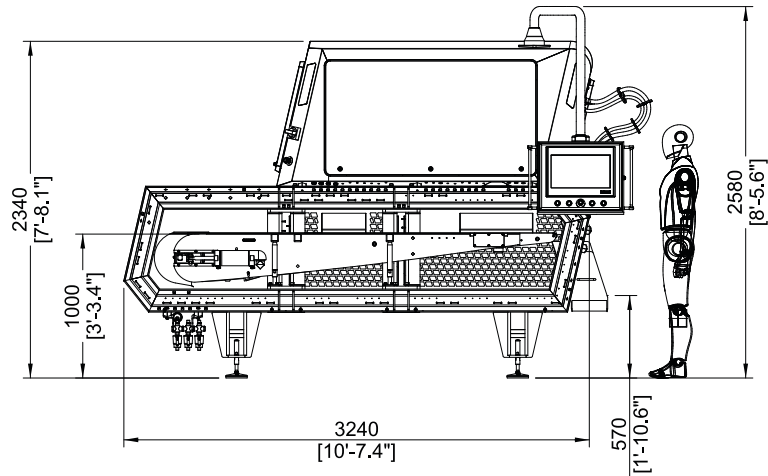
CURIOSITY features an electronic auto-tracking belt, that reaches the speed of 240m/min. This enables a less than 5 minutes, hand-only change of the tape.



IP68 PROTECTION

CURIOSITY is certified IP66 electric protection for the machine, and the IP68 for the cabinet.





CY 600

CY 1200

CY 1800

TECHNICAL FEATURES

Optical Resolution	0,3x0,3mm [0.12"x0.12"]	0,3x0,3mm [0.12"x0.12"]	0,3x0,3mm [0.12"x0.12"]
Air Nozzles	96	192	288
Nozzle pitch	6mm [0.23"]	6mm [0.23"]	6mm [0.23"]
User Interface	18.5" LCD touch screen monitor	18.5" LCD touch screen monitor	18.5" LCD touch screen monitor
Remote Connection	Ethernet/Wi-Fi	Ethernet/Wi-Fi	Ethernet/Wi-Fi
Conveyor Speed	120-240 m/min [394-787 ft/min]	120-240 m/min [394-787 ft/min]	120-240 m/min [394-787 ft/min]
Weight	1700 kg [3800 lbs]	2000 kg [4400 lbs]	2300 kg [5100 lbs]

UTILITIES

Power Supply	3F+T [3PH+GND]	3F+T [3PH+GND]	3F+T [3PH+GND]
Voltage	400/480 V	400/480 V	400/480 V
Frequency	50/60 Hz	50/60 Hz	50/60 Hz
Consumed Power	5 kW	6 kW	7 kW
Cleaning Water Temperature	< 50°C [40-86°F]	< 50°C [40-86°F]	< 50°C [40-86°F]
Water Pressure	1-3 bar [15-44 psi]	1-3 bar [15-44 psi]	1-3 bar [15-44 psi]
Water Consumption	1-2 m3/h [264-792 gal/h]	1-2 m3/h [264-792 gal/h]	1-2 m3/h [264-792 gal/h]
Air Pressure	6-8 bar [87-116 psi]	6-8 bar [87-116 psi]	6-8 bar [87-116 psi]
Air Consumption (Typical)	1300 NI/min [46 Ncuft/min]	2500 NI/min [88 Ncuft/min]	3800 NI/min [134 Ncuft/min]
Air Consumption (Maximum)	1800NI/min [64 Ncuft/min]	3500 NI/min [123 Ncuft/min]	5300NI/min [187 Ncuft/min]